

WATER MONITORING SOLUTIONS



Non-contact radar flowmeter

SurfaceFLO



- Non-contact flow measurement
- Accurate flow measurement also with high turbidity or solid contents
- Analogic or digital outputs
- Waterproof (IP68)
- Suitable for wastewater, industry and natural environment

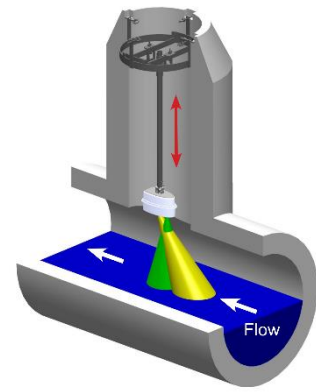
HYDREKA
www.hydreka.com

A HALMA COMPANY

Applications

The SurfaceFLO flowmeter is used for several applications:

- Dimensioning and control of plant and processes,
- Discharge monitoring for (re)adjustment of calculation models,
- Flow measurement monitoring in aggressive environments,
- Any other open channels and wastewater applications.



Technical specifications

General	Dimensions (mm)	272 x 153 x 186 (L x W x H) 1 bracket for pipe with \varnothing 30 mm		
	Total weight	1.55 kg		
	Protection class	IP 68		
	Power supply	6 ... 30 V DC		
	Consumption at 12 V	Standby approx. 1 mA / active measurement approx. 140 mA		
	Operation temperature	-35° ... 60° C		
	Storage temperature	-40° ... 60° C		
	Protection	Over voltage protection, reverse power protection, lightning protection		
Level measurement	Serial type	SurfaceFLO-3	SurfaceFLO-6	SurfaceFLO-8R
	Measuring technology	Ultrasonic	Ultrasonic	Radar
	Level range	0.3 ... 3 m	0.35 ... 6 m	0.05 ... 8 m
	Precision	2 mm		
	Accuracy	+/- 0.25 % FS	+/- 0.25 % FS	+/- 2mm
	Frequency	26 GHz (K-Band)		
	Opening angle	15°	12°	10°
Velocity measurement	Detectable measurement range	0.10 ... 15 m/s (depending on flow conditions)		
	Accuracy	+/- 0.01 m/s; +/- 1 % FS		
	Resolution	1 mm/s		
	Direction recognition	+/-		
	Measurement duration	5 ... 240 sec.		
	Measurement interval	8 sec. ... 5 hrs		
	Measurement frequency	24 GHz (K-Band)		
	Radar opening angle	12°		
	Distance to water surface	0.10 ... 35.0 m		
Necessary minimum wave height	3 mm			
Automatically vertical angle compensation	Accuracy	+/- 1°		
	Resolution	+/- 0.1°		
Interface	Analog output (SQ-analog)	2 x 4 ... 20 mA (1 x level; 1 x discharge or velocity - selectable)		
	Digital interface	<ul style="list-style-type: none"> ○ 1 x SDI-12 - 1 x RS 485 or Modbus ○ Transfer rate: 1.2 to 115,2 kBd - Protocol: various ASCII-protocols ○ Output: discharge, flow velocity, level, quality parameters 		
	Pulse output	Pulse per volume (selectable units)		

Products available for sales and rental. Please contact us for more information.